

Liebert® PSP™

Quick-Start Guide - 350VA/500VA, 120V



IMPORTANT SAFETY INSTRUCTIONS

SAVE THESE INSTRUCTIONS

This manual contains important instructions that should be followed during installation and maintenance of the UPS.

- Intended for installation in a controlled environment.
- Maximum ambient temperature 104°F (40°C).

CAUTION

To reduce the risk of fire, connect only to a circuit provided with 20 amperes maximum branch circuit overcurrent protection in accordance with the national code, ANSI/NFPA 70.

- Do not connect equipment that may overload the UPS or demand half-wave rectification, such as a laser printer.
- Connect the UPS only to an earthed / grounded outlet that meets national and local electrical safety guidelines.

- Locate the UPS near a wall outlet. Do not use an extension cord between the UPS and the outlet.
- The Liebert PSP has been designed for small office/home office use only; it is NOT recommended for use in life-support applications.
- In the event of an emergency, press the On/Off button and disconnect the power cord from the AC power supply to properly disable the UPS.
- Do not attach power strips or surge suppressors to the UPS.
- Do not attempt to service any parts inside the UPS except when replacing the batteries. Failure to adhere to this could cause personal injury or equipment malfunction and void the warranty.
- For technical support:
 - Visit www.liebert.com or
 - Send an e-mail to upstech@emersonnetworkpower.com.

SETUP

Step 1 Inspect the Package

Inspect the package and the UPS upon receipt. Notify the carrier and dealer of visible damage.

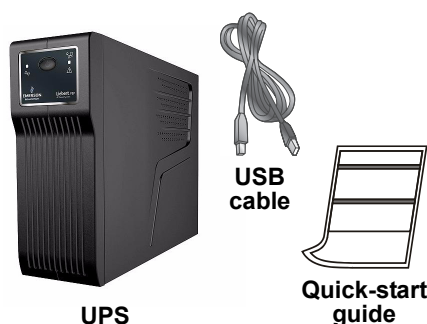
The package includes:

- Liebert PSP
- USB cable
- Quick-start guide

The Liebert MultiLink™ software may be downloaded from the Liebert Web site at:

multilink.liebert.com

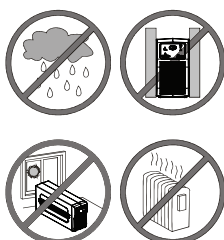
See **Step 8** for installation instructions.



Step 2 Decide Where to Place the UPS

The UPS must be placed indoors, protected from water, direct sunlight and excessive heat.

Provide at least 4" (100mm) of clearance on all sides of the unit for proper ventilation.



Step 3 Charge the UPS Battery Before Use

The UPS battery is not charged before shipping. It MUST be charged before use.

- Connect the UPS power cord to a wall outlet and charge for at least eight hours. Unit can be charged in the on or off state.

Note: If battery is placed in storage, charge the battery every six months if kept at 5°F to 85°F (-15°C to 29°C)—or every three months if kept at 86°F (30°C) or higher.

Step 4 Start the UPS

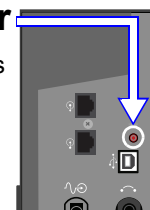
After the battery is fully charged:

- Turn on the UPS by pressing the On/Off button (see **Figure 1** below). LED 1 should be illuminated (green), indicating the UPS is operating in Normal Mode.

Step 5 Check the Site Wiring Fault Indicator

- Check the rear of the UPS to make sure the Site Wiring Fault indicator is NOT illuminated.

Caution: If the Site Wiring Fault indicator is illuminated, have a qualified electrician check the wall receptacle wiring and fix any problems.

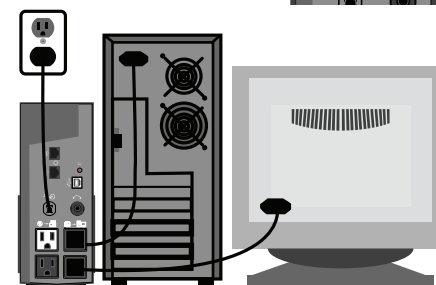


Step 6 Connect the Loads

The UPS has three battery backup outlets that provide power when the UPS operates on battery. There is also one surge-only outlet (see **Figure 2** below).

- Plug the loads into the battery backup outlets on the rear of the UPS.

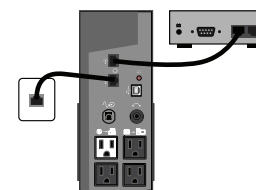
Caution: Do not connect a laser printer to the UPS.



Step 7 Connect the Network Surge Protection

The UPS has two network cable jacks for network lines (see **Figure 2** below).

- Connect a single-line network cable into the network surge protection IN jack on the rear of the UPS.
- Connect a network cable from the OUT jack on the rear of the UPS to a port on a PC or network device such as a router.

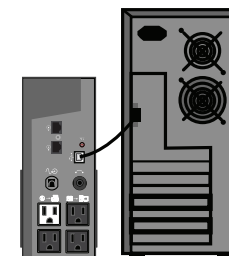


Step 8 Set Up Liebert MultiLink software

To start using the Liebert MultiLink software:

- Install the software. See the Liebert MultiLink quick-start guide or user manual for installation instructions.
- Connect one end of the USB cable (supplied) to the USB port on the rear of the UPS. Connect the other end to a USB port on the computer. See the Liebert MultiLink user manual for operating instructions.

Note: Emerson recommends connecting the USB cable directly to the computer WITHOUT using a USB hub.



UPS CONTROLS AND CONNECTIONS

Figure 1 - Front Panel LEDs

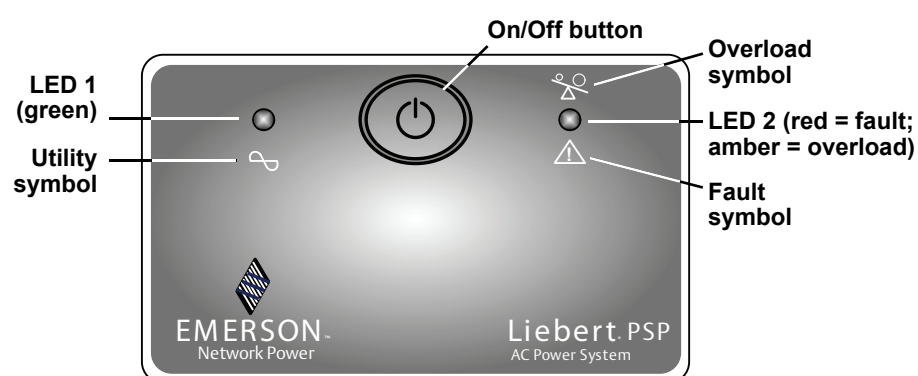
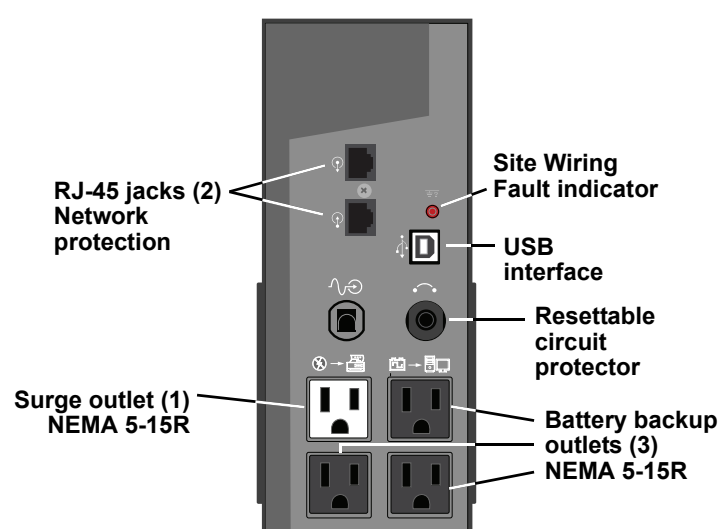


Figure 2 - Rear Panel



UPS Status, Alarm Conditions and Alerts

Condition	LED	Color	Solid/Flashing	Audible Alarm
Normal Mode	LED 1	Green	Solid (steady glow)	(None)
Battery Mode	LED 1	Green	Flashes every 3 seconds	Every 3 seconds
Battery Low	LED 1	Green	Flashes every 1 second till end of discharge (EOD)	Every 1 second
Overload	LED 2	Amber	Solid (steady glow) until load drops or breaker trips	Continuous
Battery Replacement	LED 2	Red	Flashes every 1 second for 5 seconds only	Every 1 second for 5 seconds only
Fault	LED 2	Red	Solid (steady glow) until UPS shuts down after 5 seconds	Continuous until UPS shuts down

REPLACING THE BATTERY

Servicing of batteries should be performed or supervised by personnel knowledgeable about batteries and required precautions.

When replacing batteries, replace with the same type and size battery.



CAUTION

Do not dispose of batteries in a fire. The batteries may explode.



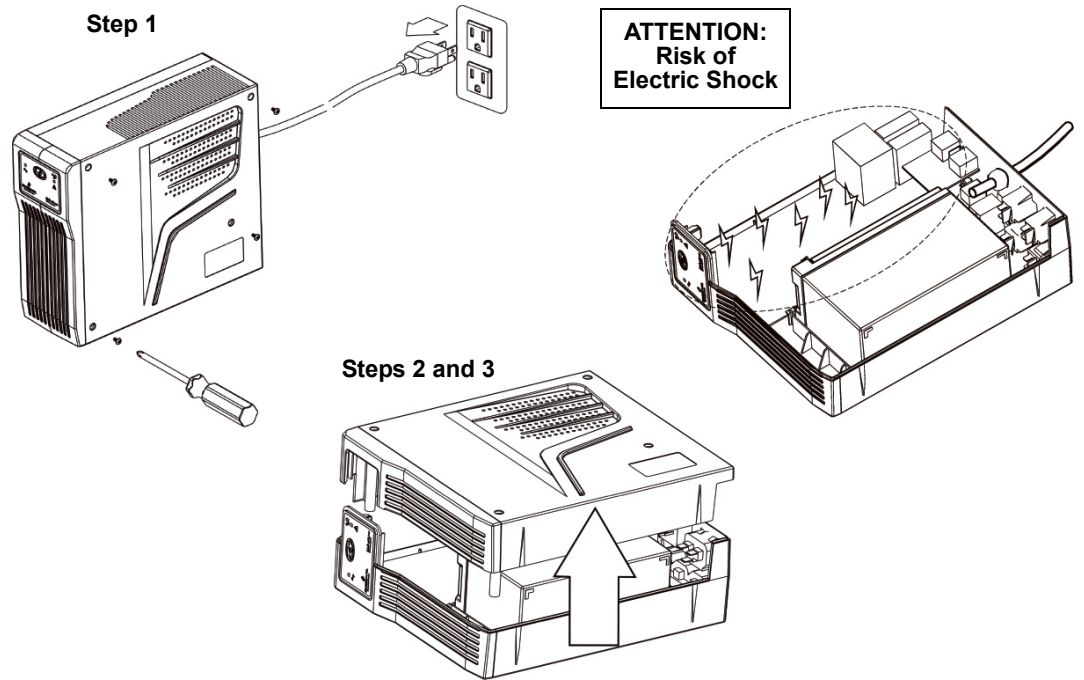
CAUTION

Do not open or mutilate batteries. Released electrolyte is harmful to the skin and eyes. It is toxic. This product is designed for 120V equipment.

To replace the battery:

1. Turn off all connected loads, then turn off the UPS and unplug the input power cord. (Batteries are NOT hot-swappable.)
2. Carefully lay the UPS on its left side, as shown in the diagram.
3. Use a #1 Phillips head screwdriver to remove the four screws from the right-side cover, then pull up the right-side cover and remove it.
4. Remove the black wire from the negative (-) terminal and the red wire from the positive (+) terminal.
5. Gently remove the battery from the UPS.
Attention: Risk of Electric Shock.
6. Verify that the replacement battery matches the dimensions and battery specification.
7. Connect the battery leads to the new battery. Be sure to reconnect the red wire to the positive (+) terminal and the black wire to the negative (-) terminal.
Note: Small sparks may occur at the battery connectors during reconnection. Take care not to short-circuit the positive and negative battery terminals while replacing the battery.
8. Place the battery in the UPS.
9. Ensure correct alignment of front panel, then reattach the right-side cover. Evenly tighten the four screws from **Step 3**. (Do NOT over tighten screws)

Dispose of the old battery properly at an appropriate recycling facility.



TROUBLESHOOTING

If the UPS detects a fault, consult the table below for possible causes and solutions. For further assistance, please contact your local Emerson Network Power representative.

Fault	Possible Causes	Solutions
Utility power is normal, but LED 1 is not illuminated.	The UPS may not be turned on. The power cord may not be connected properly. The upstream input circuit breaker may be tripped.	<ul style="list-style-type: none"> • Press the On/Off button to turn on the UPS. • Connect the power cord securely into a wall outlet. • Reset the input circuit breaker.
LED 1 flashes (green) every 3 seconds, but there is no output power.	Battery voltage may be too low.	<ul style="list-style-type: none"> • Recharge the UPS for 8 hours.
Alarm buzzer beeps continuously although utility power is normal.	The UPS may be overloaded (check LED 2).	<ul style="list-style-type: none"> • Disconnect some equipment from the UPS.
UPS does not provide expected backup time.	The UPS battery reached end of life.	<ul style="list-style-type: none"> • Replace the internal battery.
The UPS is on and connected to input power, but fails to operate properly.	Utility power may be outside the unit's operating range.	<ul style="list-style-type: none"> • If utility power is normal, try reconnecting input power and restarting the UPS.

SPECIFICATIONS

Model Number	PSP350MT3-120U	PSP500MT3-120U
Capacity (VA/W)	350/210	500/300
Net Weight, lb. (kg)	6.4 (2.9)	8.8 (4.0)
Shipping Weight, lb. (kg)	7.7 (3.5)	10.1 (4.6)
Dimensions - W x D x H, in. (mm)	3.4 x 8.5 x 9.9 (87 x 215 x 251)	
Input Voltage	84-140VAC	
Frequency	50/60Hz ±5Hz	
Output Voltage (Utility Power Normal)	Typical 84-140VAC	
Output Voltage (Battery Operation)	120VAC ±5%	
On-Battery Wave Form	Stepped sinewave	
VRLA Battery Type - VDC x Ah x Quantity	12V x 5Ah x 1	12V x 7.2Ah x 1
Typical Recharge Time	6-8 hours to 90%	
Battery Run Time* - Full Load	3-5 minutes	
Battery Run Time* - Half Load	10 minutes	
Audible and Visual	Audible alarm / LED	
Backup Outlets	NEMA 5-15R (3)	
Surge Outlets	NEMA 5-15R (1)	
Operating Temperature, °F (°C)	32 to 104 (0 to 40)	
Storage Temperature, °F (°C)	5 to 104 (-15 to 40)	
Operating / Storage Relative Humidity	0%-90%, non-condensing	
EMI Classification	FCC Part 15 Class B	
Agency**		
Safety	UL 1778, c-UL Listed	
EMC	FCC Part 15 Class B IEC 61000-4-2 Electrostatic discharge IEC 61000-4-3 Radiated E-RFI fields IEC 61000-4-4 Fast E transients IEC 61000-4-5 Surges/Lightning IEC 61000-4-6 Conducted RFI ANSI C62.41 Category A Level 3 (surges)	
Transportation	ISTA Procedure 1A Certification	

* Battery run time may vary depending on load.

** The Liebert PSP is compliant with the Restriction of Hazardous Substances Directive (ROHS), prohibiting use of six hazardous materials manufacturing of electronics, including lead-free solder.



© 2009 Liebert Corporation
 All rights reserved throughout the world. Specifications subject to change without notice.
 ® Liebert is a registered trademark of Liebert Corporation.
 All names referred to are trademarks or registered trademarks of their respective owners.
 SL-23285_REV0_03-09

Technical Support / Service

800-222-5877 (Outside U.S. 614-841-6755)
 upstech@emersonnetworkpower.com
 Web site: www.liebert.com

United States

1050 Dearborn Drive
 P.O. Box 29186
 Columbus, OH 43229